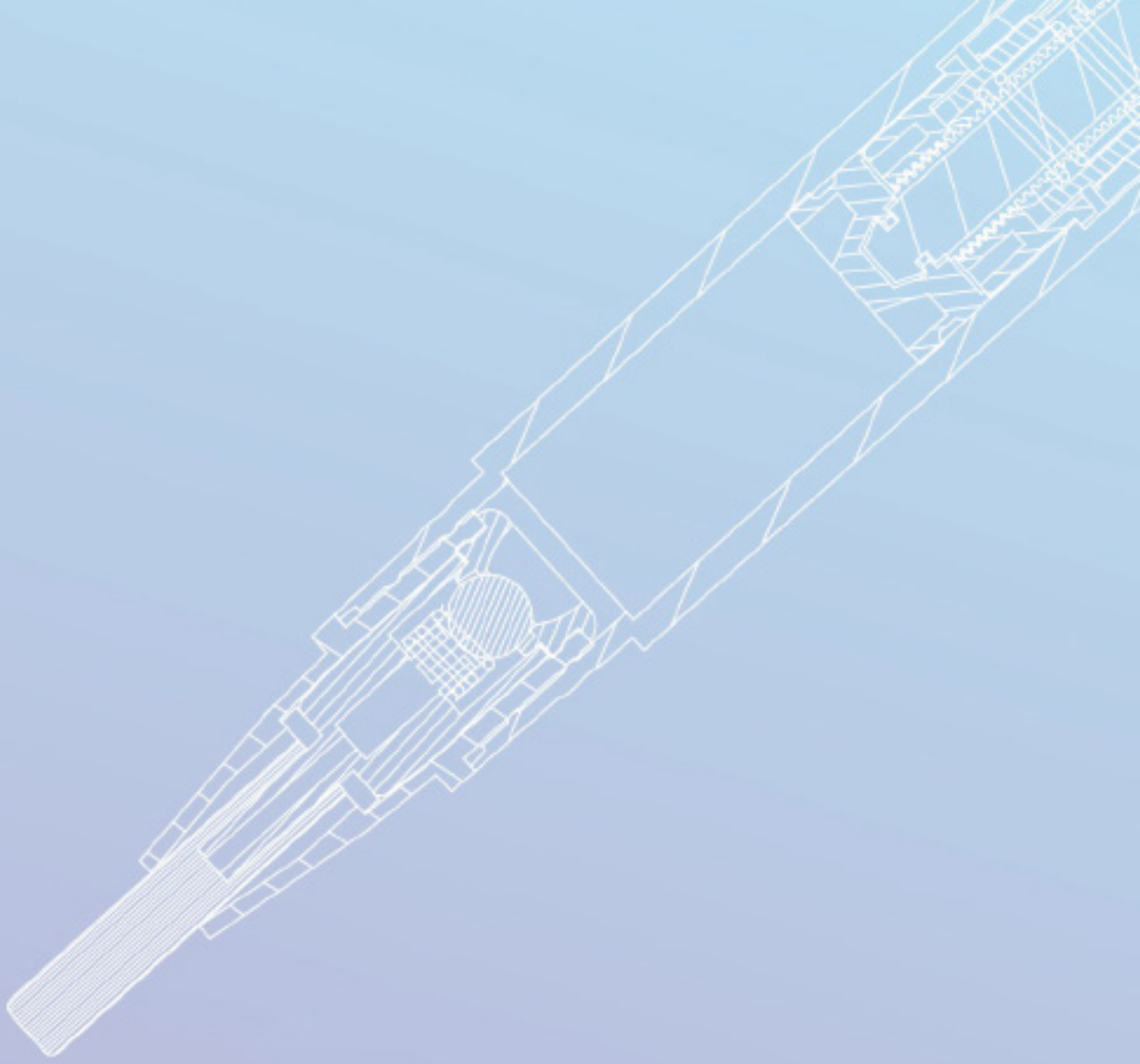


COSMETIC
PACKAGING



COSMETIC PENS



BelPack(Shanghai) PACKAGING CO., LTD.

Cosmetic Pens Series

- Various head styles
- Various pen styles
- 100% on-line inspection



笔管系列

Cosmetic pens series

Model: BX20

Material: PP

Volume: 2 ml

Weight: 10.3 g

Dimension: W12 × H125 mm

Processing: Injection, Metalization, Coating



Model: BX20B

Material: PP

Volume: 2 ml

Weight: 10.3 g

Dimension: W12 × H125 mm

Processing: Injection, Metalization, Coating



Model: BX20L

Material: PP aluminum coating

Volume: 2 ml

Weight: 13.8 g

Dimension: W13 × H126 mm

Processing: Anodizing, Metalization, Coating



Model: BX40

Material: PP

Volume: 4 ml

Weight: 14 g

Dimension: W15 × H125 mm

Processing: Injection, Metalization, Coating



笔管系列

Cosmetic pens series

Model: BX40L

Material: PP aluminum coating

Volume: 4 ml

Weight: 21.4 g

Dimension: W17 × H125 mm

Processing: Anodizing, Metalization, Coating



Model: BX14

Material: PP

Volume: 1.4 ml

Weight: 7 g

Dimension: W12 × H97 mm

Processing: Injection, Metalization, Coating



Model: BA40

Material: PP

Volume: 4 ml

Weight: 14.5 g

Dimension: W14.5 × H139 mm

Processing: Injection, Metalization, Coating



Model: BA28L

Material: PP aluminum coating

Volume: 2.8 ml

Weight: 16.5 g

Dimension: W14.5 × H125 mm

Processing: Anodizing, Metalization, Coating



笔管系列

Cosmetic pens series

Model: BA60

Material: PCTG

Volume: 6 ml

Weight: 24.5 g

Dimension: W17.8 × H135 mm

Processing: Injection, Metalization, Coating



Model: BA40L

Material: PP aluminum coating

Volume: 4 ml

Weight: 21 g

Dimension: W15 × H140 mm

Processing: Anodizing, Metalization, Coating



Model: IVP003

Material: PP

Volume: 4 ml

Weight: 14.5 g

Dimension: W14.5 × H139 mm

Processing: Injection, Metalization, Coating



Model: BX14L

Material: PP aluminum coating

Volume: 1.4 ml

Weight: 12 g

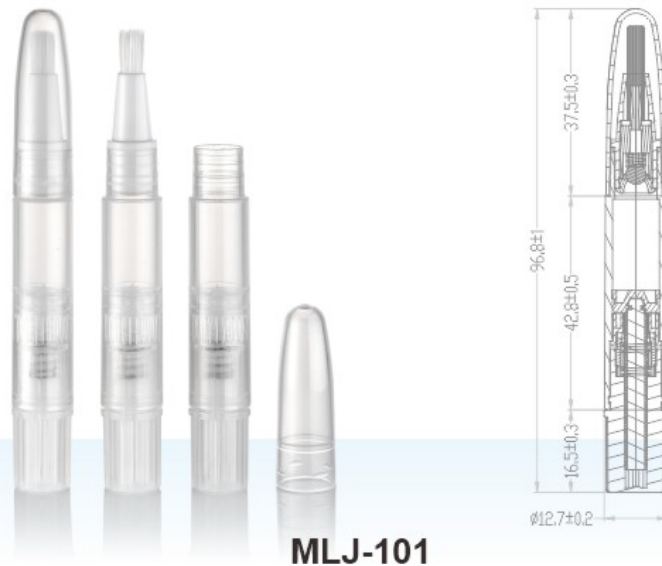
Dimension: W14 × H98 mm

Processing: Anodizing, Metalization, Coating



Empty Twist Cosmetic Pen

旋转化妆空笔



MLJ-101

Item/Brand	MLJ-101 (Offer OEM&ODM Service)	
Size(mm)	96.80(L)*12.70(D)	
Volume	Actually Volume 1.4ml, the market calls it 1ml to 2ml.	
Extrude Volume	1 twist 0.00437ml, 1 circle 0.03498ml.	
1st liquid comes out	Tip down 24 twists, upward 55 twists.	
Material	Cap/Container/End Cap: PP	Tip: brush, silicone, flocking and so on.
Design Feature	1.Pure PP pen, stable performance. 2.Twist design and precise dropping control.	3.Spring is stainless steel 316 . 4.Various tips for various functions.

Available Tips



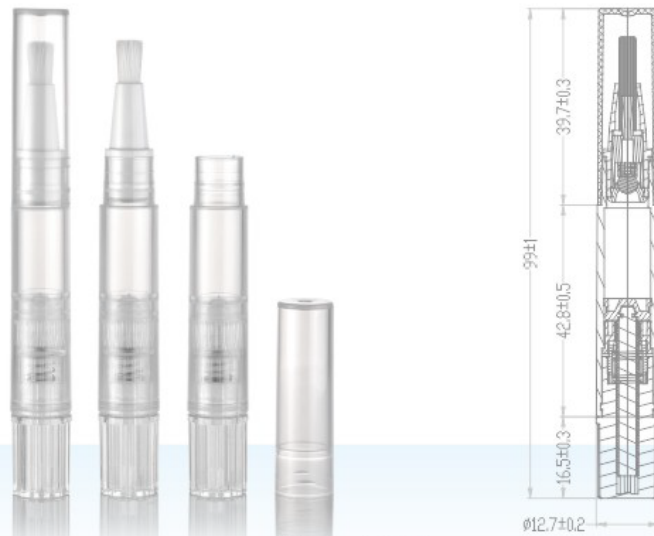
Use for	1.Teeth whitening. 2.Eyelash/eyebrow serum growth liquid, Double-fold eyelid glue. 3.Concealer/foundation. 4.Wrinkle remover, facemoisturizer, wart/corn remove. 5.Nail cuticle oil, nail polish UV gel. 6.Lip gloss and lipstick. 7. Car/furniturepaint touch up pen, shoe whitening and others.
---------	--

Available Surface	Injection color	Vacuum metalizing	Spray painting	
-------------------	-----------------	-------------------	----------------	--

Available Logo Print	PEROXIDE FREE TEETH WHITENING PEN Silk screen printing	LIP MARKER LONG LASTING LIPS STAIN Hot stamping printing	NAILPROTEX 4g Heat transfert printing	Labeling
----------------------	---	---	--	----------

Empty Twist Cosmetic Pen

旋转化妆空笔



MLJ-101A

Item/Brand	MLJ-101A (Offer OEM&ODM Service)		
Size(mm)	99.00(H)*12.70(D)		
Volume	Actually Volume 1.4ml, the market calls it 1ml to 2ml.		
Extrude Volume	1 twist 0.00437ml, 1 circle 0.03498ml.		
1st liquid comes out	Tip down 24 twists, upward 55 twists.		
Material	Cap/Container:PP	End Cap:SBC	Tip: brush, silicone, flocking and so on.
Design Feature	1.Pure PP pen, stable performance. 2.Twist design and precise dropping control.		3.Spring is stainless steel 316 . 4.Various tips for various functions.

Available Tips



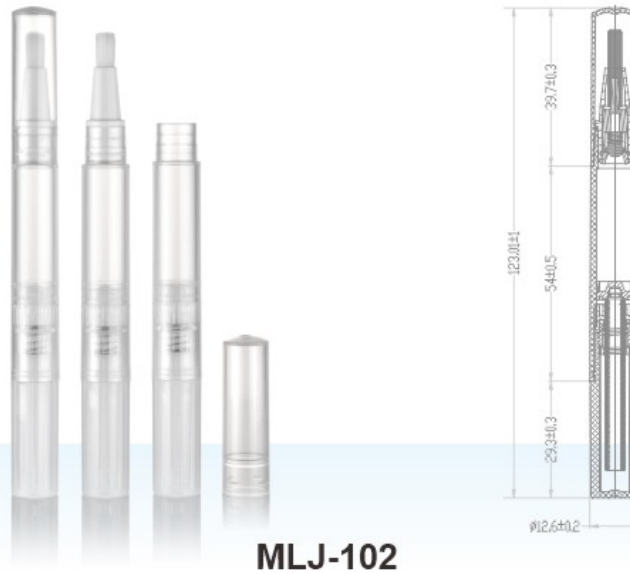
Use for	1.Teeth whitening. 2.Eyelash/eyebrow serum growth liquid, Double-fold eyelid glue. 3.Concealer/foundation. 4.Wrinkle remover, facemoisturizer, wart/corn remove. 5.Nail cuticle oil, nail polish UV gel. 6.Lip gloss and lipstick. 7. Car/furniturepaint touch up pen, shoe whitening and others.
---------	--

Available Surface	 Injection color	 Vacuum metalizing	 Spray painting	
-------------------	---	---	---	--

Available Logo Print	 Silk screen printing	 Hot stamping printing	 Heat transfert printing	 Labeling
----------------------	--	---	--	--

Empty Twist Cosmetic Pen

旋转化妆空笔



MLJ-102

Item/Brand	MLJ-102 (Offer OEM&ODM Service)	
Size(mm)	123.00(L)*12.60(D)	
Volume	Actally Volume 2.3ml, the market calls it 2ml to 3ml.	
Extrude Volume	1 twist 0.00437ml, 1 circle 0.03498ml.	
1st liquid comes out	Tip down 24 twists, upward 55 twists.	
Material	Cap/Container/End Cap: PP	Tip: brush, silicone, flocking and so on.
Design Feature	1.Pure PP pen, stable performance. 2.Twist design and precise dropping control.	3.Spring is stainless steel 316 . 4.Various tips for various functions.

Available Tips



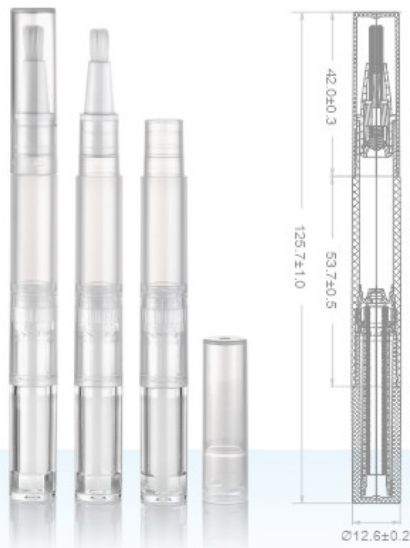
Use for	1.Teeth whitening. 2.Eyelash/eyebrow serum growth liquid, Double-fold eyelid glue. 3.Concealer/foundation. 4.Wrinkle remover, facemoisturizer, wart/corn remove. 5.Nail cuticle oil, nail polish UV gel. 6.Lip gloss and lipstick. 7. Car/furniturepaint touch up pen, shoe whitening and others.
---------	--

Available Surface	Injection color	Vacuum metalizing	Spray painting	
-------------------	-----------------	-------------------	----------------	--

Available Logo Print	<p>Silk screen printing</p>	<p>Hot stamping printing</p>	<p>Heat transfert printing</p>	<p>Labeling</p>
----------------------	-----------------------------	------------------------------	--------------------------------	-----------------

Empty Twist Cosmetic Pen

旋转化妆空笔



MLJ-102A



Item/Brand	MLJ-102A (Offer OEM&ODM Service)		
Size(mm)	125.70(L)*12.60(D)		
Aluminum Size(mm)	127.10(H)*13.4(D)		
Volume	Actally Volume 2.0ml, the market calls it 2ml to 3ml.		
Extrude Volume	1 twist 0.00248ml, 1 circle 0.02971ml.		
1st liquid comes out	Tip down 45 twists, upward 80 twists.		
Material	Cap/Container:PP	End Cap: PC	Tip: brush, silicone, flocking and so on.
Design Feature	1. Twist design and precise dropping control. 2. Spring is stainless steel 316.		3. Various tips for various functions.

Available Tips

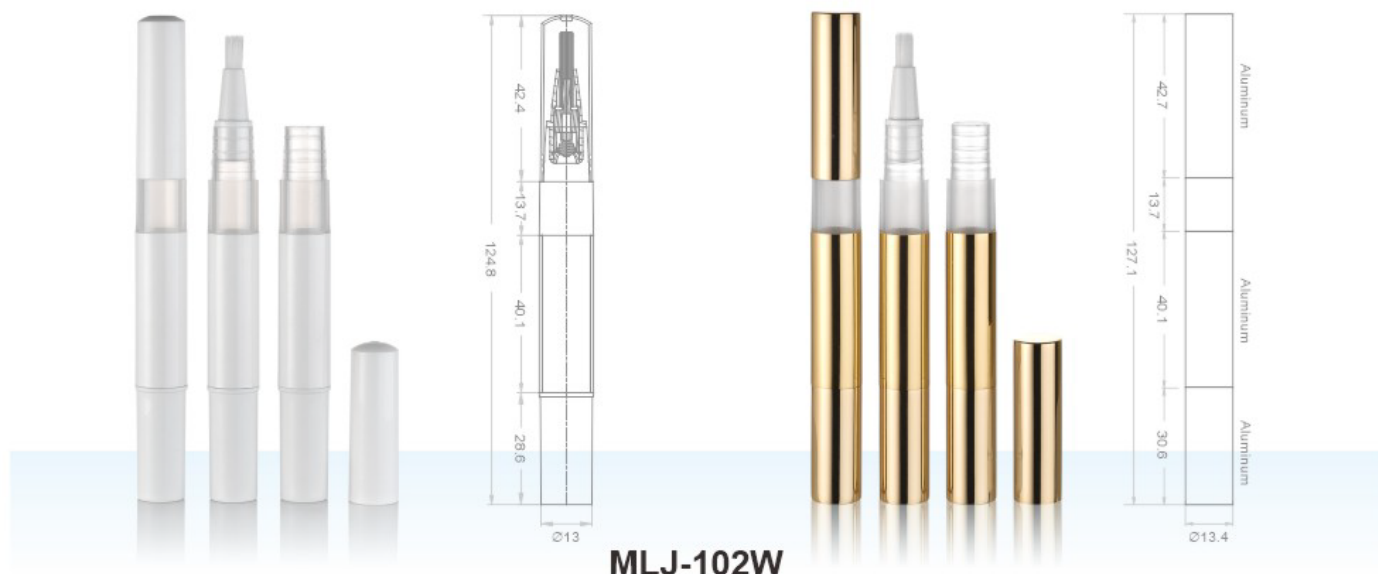


Use for	1. Teeth whitening. 2. Eyelash/eyebrow serum growth liquid, Double-fold eyelid glue. 3. Concealer/foundation. 4. Wrinkle remover, facemoisturizer, wart/corn remove. 5. Nail cuticle oil, nail polish UV gel. 6. Lip gloss and lipstick. 7. Car/furniturepaint touch up pen, shoe whitening and others.
---------	---



Empty Twist Cosmetic Pen

旋转化妆空笔



MLJ-102W

Item/Brand	MLJ-102W (Offer OEM&ODM Service)	
Size(mm)	124.80(H)*13.00(D)	
Aluminum Size(mm)	127.10(H)*13.40(D)	
Volume	Actally Volume 2.0ml, the market calls it 2ml to 3ml.	
Extrude Volume	1 twist 0.00248ml, 1 circle 0.02971ml.	
1st liquid comes out	Tip down 45 twists, upward 80 twists.	
Material	Cap/Container/End Cap: PP	Tip: brush, silicone, flocking and so on.
Design Feature	1.Liquid is visible through partial transparency. . 2.Twist design and precise dropping control.	3.Spring is stainless steel 316. 4.Various tips for various functions.

Available Tips



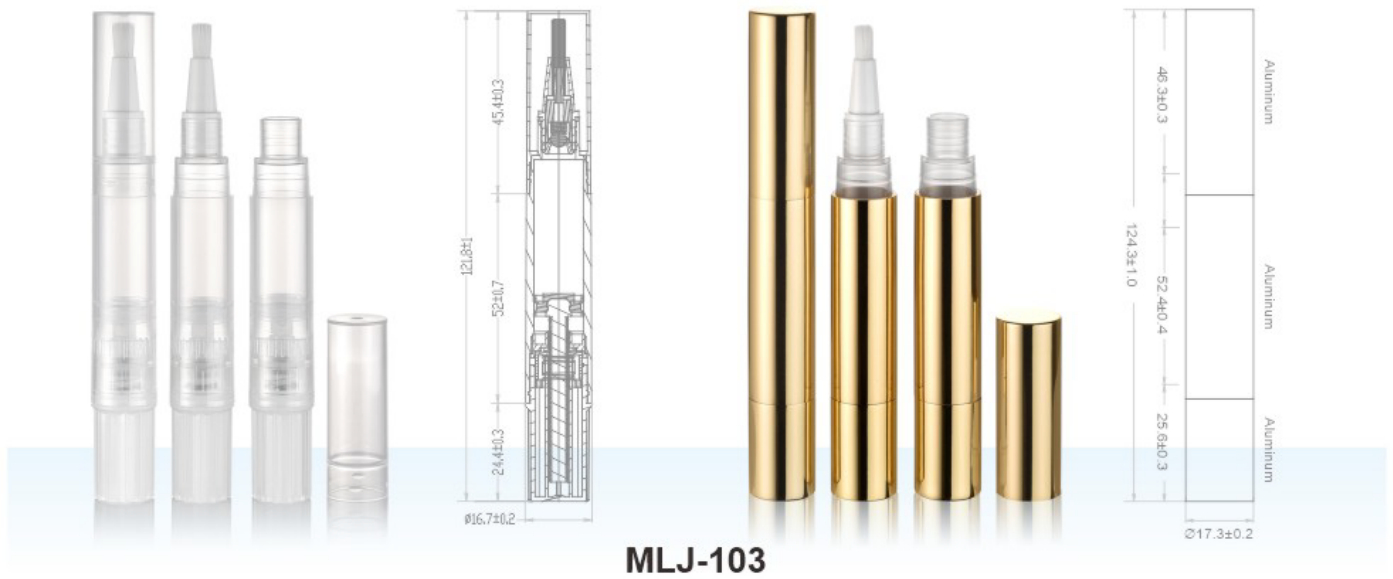
Use for	1.Teeth whitening. 2.Eyelash/eyebrow serum growth liquid, Double-fold eyelid glue. 3.Concealer/foundation. 4.Wrinkle remover, facemoisturizer, wart/corn remove. 5.Nail cuticle oil, nail polish UV gel. 6.Lip gloss and lipstick. 7. Car/furniturepaint touch up pen, shoe whitening and others.
---------	---

Available Surface	Injection color	Vacuum metalizing	Spray painting	Aluminum
-------------------	-----------------	-------------------	----------------	----------

Available Logo Print	Silk screen printing	Hot stamping printing	Heat transfert printing	Labeling
----------------------	----------------------	-----------------------	-------------------------	----------

Empty Twist Cosmetic Pen

旋转化妆空笔



Item/Brand	MLJ-103 (Offer OEM&ODM Service)	
Size(mm)	121.80(L)*16.70(D)	
Aluminum Size(mm)	124.30(L)*17.30(D)	
Volume	Actally Volume 4.1ml, the market calls it 4ml to 5ml.	
Extrude Volume	1 twist 0.00748ml, 1 circle 0.05987ml.	
1st liquid comes out	Tip down 14 twists, upward 50 twists	
Material	Cap/Container/End Cap: PP	Tip: brush, silicone, flocking and so on.
Design Feature	1.Pure PP pen, stable performance. 2.Twist design and precise dropping control.	3.Spring is stainless steel 316. 4.Various tips for various functions.

Available Tips



Use for	1.Teeth whitening. 2.Eyelash/eyebrow serum growth liquid, Double-fold eyelid glue. 3.Concealer/foundation. 4.Wrinkle remover, facemoisturizer, wart/corn remove. 5.Nail cuticle oil, nail polish UV gel. 6.Lip gloss and lipstick. 7. Car/furniturepaint touch up pen, shoe whitening and others.
---------	--



Empty Twist Cosmetic Pen

旋转化妆空笔



MLJ-103A

Item/Brand	MLJ-103A (Offer OEM&ODM Service)		
Size(mm)	123.90(L)*16.40(D)		
Aluminum Size(mm)	126.40(L)*17.30(D)		
Volume	Actally Volume 4.5ml, the market calls it 4ml to 5ml.		
Extrude Volume	1 twist 0.00499ml, 1 circle 0.05987ml.		
1st liquid comes out	Tip down 20 twists, upward 70 twists.		
Material	Cap/Container:PP	End Cap: PC	Tip: brush, silicone, flocking and so on.
Design Feature	1.Twist design and precise dropping control. 2.Spring is stainless steel 316.		3.Various tips for various functions.

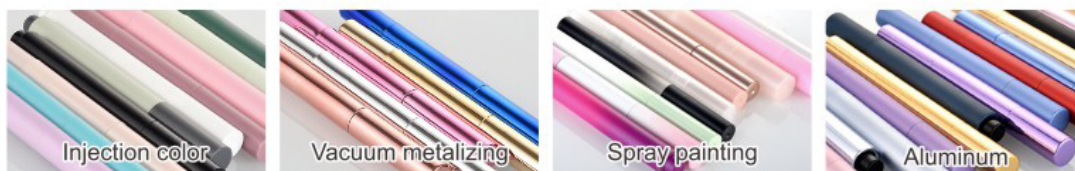
Available Tips



Use for

1.Teeth whitening. 2.Eyelash/eyebrow serum growth liquid, Double-fold eyelid glue. 3.Concealer/foundation. 4.Wrinkle remover, facemoisturizer, wart/corn remove. 5.Nail cuticle oil, nail polish UV gel. 6.Lip gloss and lipstick. 7. Car/furniturepaint touch up pen, shoe whitening and others.

Available Surface

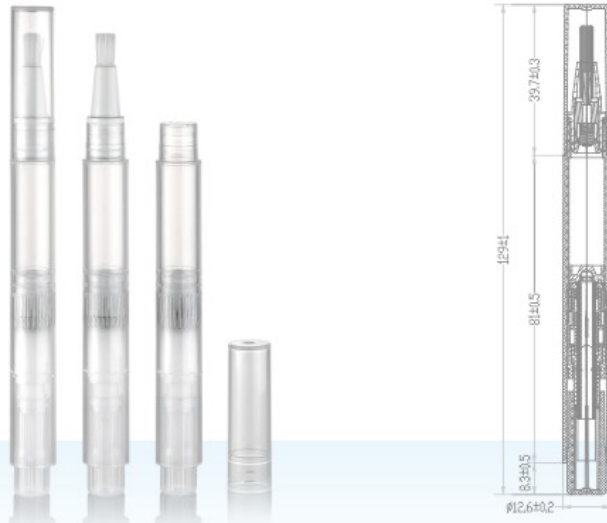


Available Logo Print



Empty Click Cosmetic Pen

按压化妆空笔



MLJ-102C

Item/Brand	MLJ-102C (Offer OEM&ODM Service)	
Size(mm)	129.00(L)*12.60(D)	
Volume	Actally Volume 2.1ml, the market calls it 2ml to 3ml.	
Extrude Volume	1 Click 0.00437ml, 1 circle 0.03498ml.	
1st liquid comes out	Tip down 24 clicks, upward 55 clicks.	
Material	Cap/Container/Click Button: PP	Tip: brush, silicone, flocking and so on.
Design Feature	1.Click design and precise dropping control. 2.Spring is stainless steel 316.	3.Various tips for various functions.

Available Tips



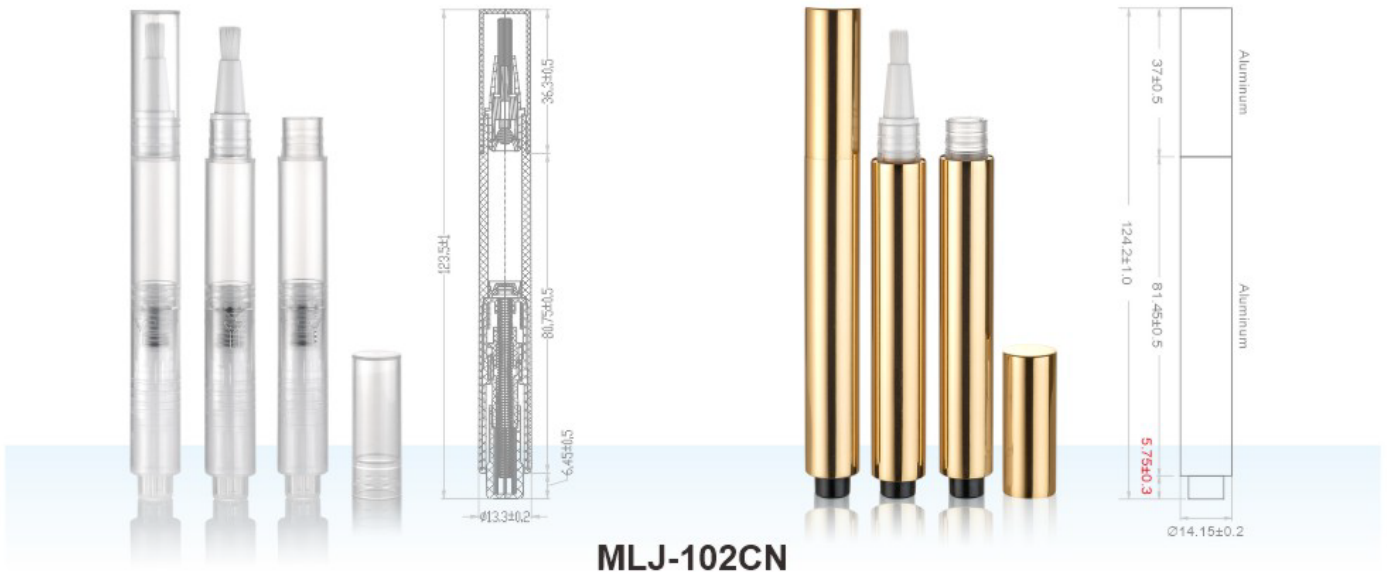
Use for	1.Teeth whitening. 2.Eyelash/eyebrow serum growth liquid, Double-fold eyelid glue. 3.Concealer/foundation. 4.Wrinkle remover, facemoisturizer, wart/corn remove. 5.Nail cuticle oil, nail polish UV gel. 6.Lip gloss and lipstick. 7. Car/furniturepaint touch up pen, shoe whitening and others.
---------	---

Available Surface	 Injection color	 Vacuum metalizing	 Spray painting	
-------------------	---	---	---	--

Available Logo Print	 Silk screen printing	 Hot stamping printing	 Heat transfert printing	 Labeling
----------------------	--	---	--	--

Empty Click Cosmetic Pen

按压化妆空笔



Item/Brand	MLJ-102CN (Offer OEM&ODM Service)	
Size(mm)	123.50(L)*13.30(D)	
Aluminum Size(mm)	124.20(L)*14.15(D)	
Volume	Actally Volume 2.1ml/3.0ml, the market calls it 2ml to 4ml.	
Extrude Volume	1 Click 0.00530ml, 1 circle 0.04238ml.	
1st liquid comes out	Tip down 11 clicks, upward 25 clicks.	
Material	Cap/Container/Click Button: PP	Tip: brush, silicone, flocking and so on.
Design Feature	1.Click design and precise dropping control. 2.Spring is stainless steel 316.	3.Various tips for various functions.

Available Tips



P1	P2	P3	P4	P4S	P4L	P5	P8	P9	P10	P11	P12	P13	P14	P14G	T2	T3	T4	T4-2	T6	T7
<p>Use for</p> <p>1.Teeth whitening. 2.Eyelash/eyebrow serum growth liquid, Double-fold eyelid glue. 3.Concealer/foundation. 4.Wrinkle remover, facemoisturizer, wart/corn remove. 5.Nail cuticle oil, nail polish UV gel. 6.Lip gloss and lipstick. 7. Car/furniturepaint touch up pen, shoe whitening and others.</p>																				

Available Surface	Injection color	Vacuum metalizing	Spray painting	Aluminum
-------------------	-----------------	-------------------	----------------	----------

Available Logo Print	PEROXIDE FREE TEETH WHITENING PEN Silk screen printing	LIP MARKER LONG LASTING LIPS STAIN Hot stamping printing	NAILPROTEX 19 Heat transfert printing	Labeling
----------------------	---	---	--	----------

Aluminum Cosmetic Pen

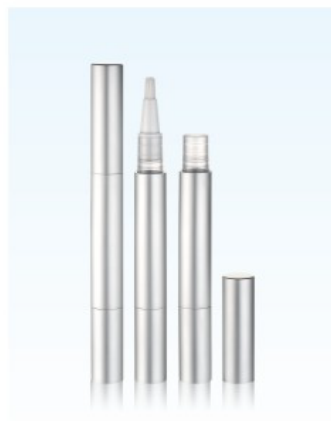
包铝化妆空笔



MLJ-102A
Aluminum golden
Capacity:2.0ml
Size(mm):127.10(H)*13.4(D)



MLJ-102A
Aluminum silver
Capacity:2.0ml
Size(mm):127.10(H)*13.4(D)



MLJ-102A
Aluminum matt silver
Capacity:2.0ml
Size(mm):127.10(H)*13.4(D)



MLJ-102A
Aluminum silver window
Capacity:2.0ml
Size(mm):127.10(H)*13.4(D)



MLJ-102W
Aluminum golden
Capacity:2.0ml
Size(mm):127.10(H)*13.4(D)



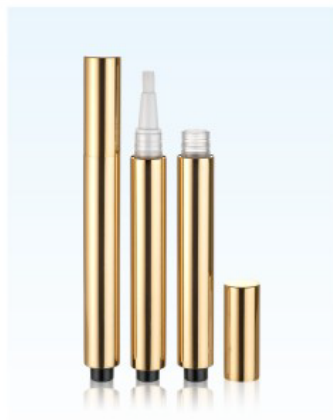
MLJ-102W
Aluminum silver
Capacity:2.0ml
Size(mm):127.10(H)*13.4(D)



MLJ-103
Aluminum golden
Capacity:4.1ml
Size(mm):124.30(L)*17.30(D)



MLJ-103A
Aluminum golden
Capacity:4.5ml
Size(mm):126.40(L)*17.30(D)



MLJ-102CN
Aluminum golden
Capacity:2.0ml/3.0ml
Size(mm):124.20(L)*14.15(D)



MLJ-102CN
Aluminum silver
Capacity:2.0ml/3.0ml
Size(mm):124.20(L)*14.15(D)



Other Aluminum Colors

Tips which are suitable for thin liquid, like water/oil/gel base liquid.



P1

Long Silicone Tip:
Suitable for lipgloss, eye
essence oil or others.



P2

Flocking Tip:
Suitable for lipgloss or
others.



P3

Flake Silicone Tip:
Suitable for double-fold eyelid glue,
concealer/foundation liquid, teeth
whitening gel, skin care gel or others.



P4

Brush Tip:
Suitable for eyebrow growth liquid,
concealer/foundation liquid, lipgloss,
teeth whitening gel, nail cuticle oil, nail
polish gel, skin care gel, perfume liquid
or others.



P4S

Small Brush Tip:
Suitable for eyelash
growth liquid, eyeliner,
spot remove liquid and
others.



P4L

Long and Small Brush Tip:
Suitable for eyelash growth
liquid, eyeliner, spot remove
liquid and others.



P5

Plastic Tip:
Suitable for wart remove gel,
corn gel or others.



P8

Silicone Tip:
Suitable for lipgloss, eye
essence oil or others.



P9

Silicone Massage Tip:
Suitable for exfoliator gel or
others.



P10

Silicone Tip:
Suitable for lipstick coating,
eye essence oil, nail cuticle
oil, skin care gel, perfume
liquid or others.



P11

Plastic Tip:
Suitable for wart remove gel,
corn gel or others.



P12

Plastic Tip:
Suitable for wart remove gel,
corn gel or others.



P13

Metal Massage head:
Suitable for eye essence
cream, nourishing lip oil or
others.



P14

Metal Ball head:
Suitable for eye essence
cream or others.



P14G

Glass Ball head:
Suitable for eye essence
cream or others.

Tips which are suitable for thick liquid, like cream base liquid.



T2

Flocking Tip:
Suitable for
concealer/foundation
cream or others.



T3

Flake Silicone Tip:
Suitable for double-fold
eyelid cream, concealer/
foundation cream,
cream perfume or
others.



T4

Brush Tip:
Suitable for thick
concealer/foundation
cream, lipgloss cream
or others.



T4-2

Brush Tip:
Suitable for thick
concealer/foundation
cream, lipgloss cream,
paint touch up oil or
others.



T6

Long Flocking Tip:
Suitable for eyelash
growth cream or others.



T7

Round Flocking Tip:
Suitable for air cushion
lip glaze, lipgloss,
concealer/foundation
cream, eye shadow or
others.



TO BE PERFECT PACKAGING

追 求 完 美 包 装

BelPack(Shanghai)

Add: No.5-6-209,Alley 3736, Hunan Road,Pudong District,
Shanghai, China

Tel: +86-021-58110689/58111050

E-mail: belpack@kesiyu.cn

Website: www.belpack.net



BelPack(Shanghai) PACKAGING CO., LTD.

